

**Model: 6205XXXX**



### FEATURES

- Energy Efficient and Long-Lasting LED Lighting
- Stainless Steel Mirror Frame
- Smart Touch Control Switch
- 5mm Copper-free Mirror
- Frosted Pattern ALL Around
- Surface-Mount with French Cleat Mounting Bracket
- Hardwired (Junction box required)

### LIGHTING

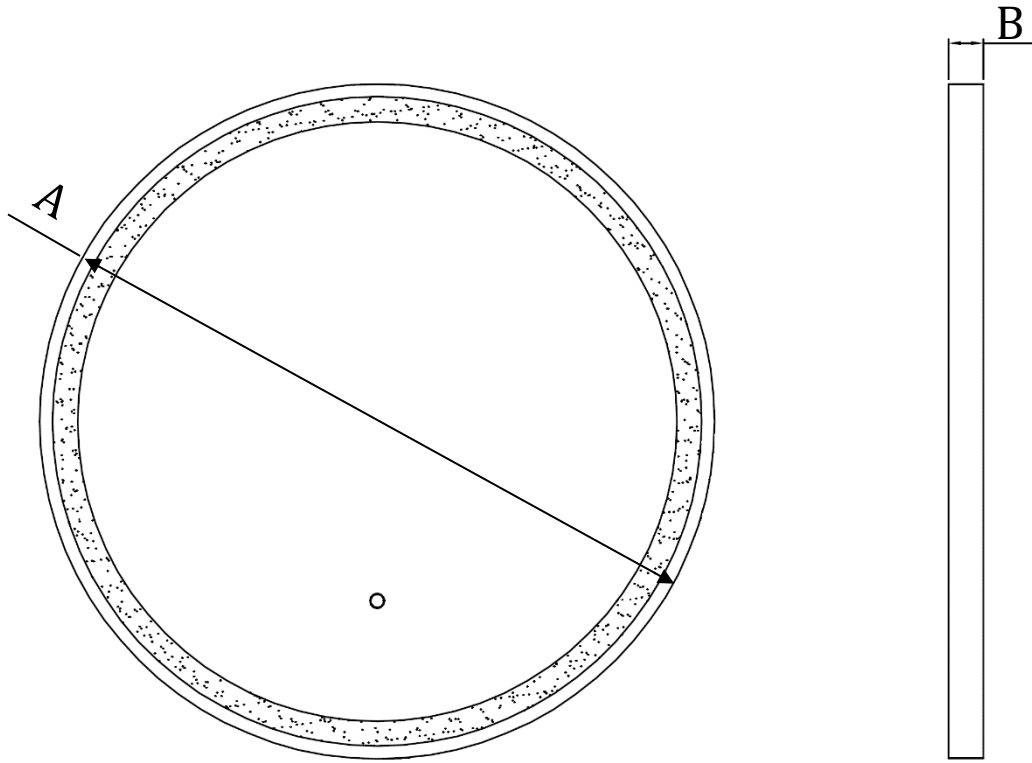
- LED (Light-Emitting Diode)
- Average Bulb Life of 50,000 hours
- CRI: 85+
- Dual Color Temperature: 3000K & 6000K
- Compatible with Wall Dimmers
- Brightness & Power Consumption: See Page 2
- Power Requirements: 110-130V AC, 60Hz

### SAFETY

- Safety Backed Mirror
- IP44 Rated
- UL Listed

### OVERVIEW

**innoci-usa** does not cut corners and only uses the highest quality components and bulbs to make sure that the mirror will be maintenance free and function like the day you purchased for average 50,000 hours of use. **innoci-usa** prides itself on providing unmatched price vs quality for all of our products. All mirrors come with a 5-year limited warranty.



Model #	A	B	Brightness (Lumen)	Power Consumption (Watt)
62053030	30	1-5/8	2268	21
62053636	36	1-5/8	2754	25.5

innoci-usa Inc.  
Newport Beach, CA 92660

[www.innoci-usa.com](http://www.innoci-usa.com)  
(866) 479-8076

[customerservice@innoci-usa.com](mailto:customerservice@innoci-usa.com)

**innociusa**  
L I F E S T Y L E